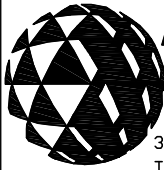
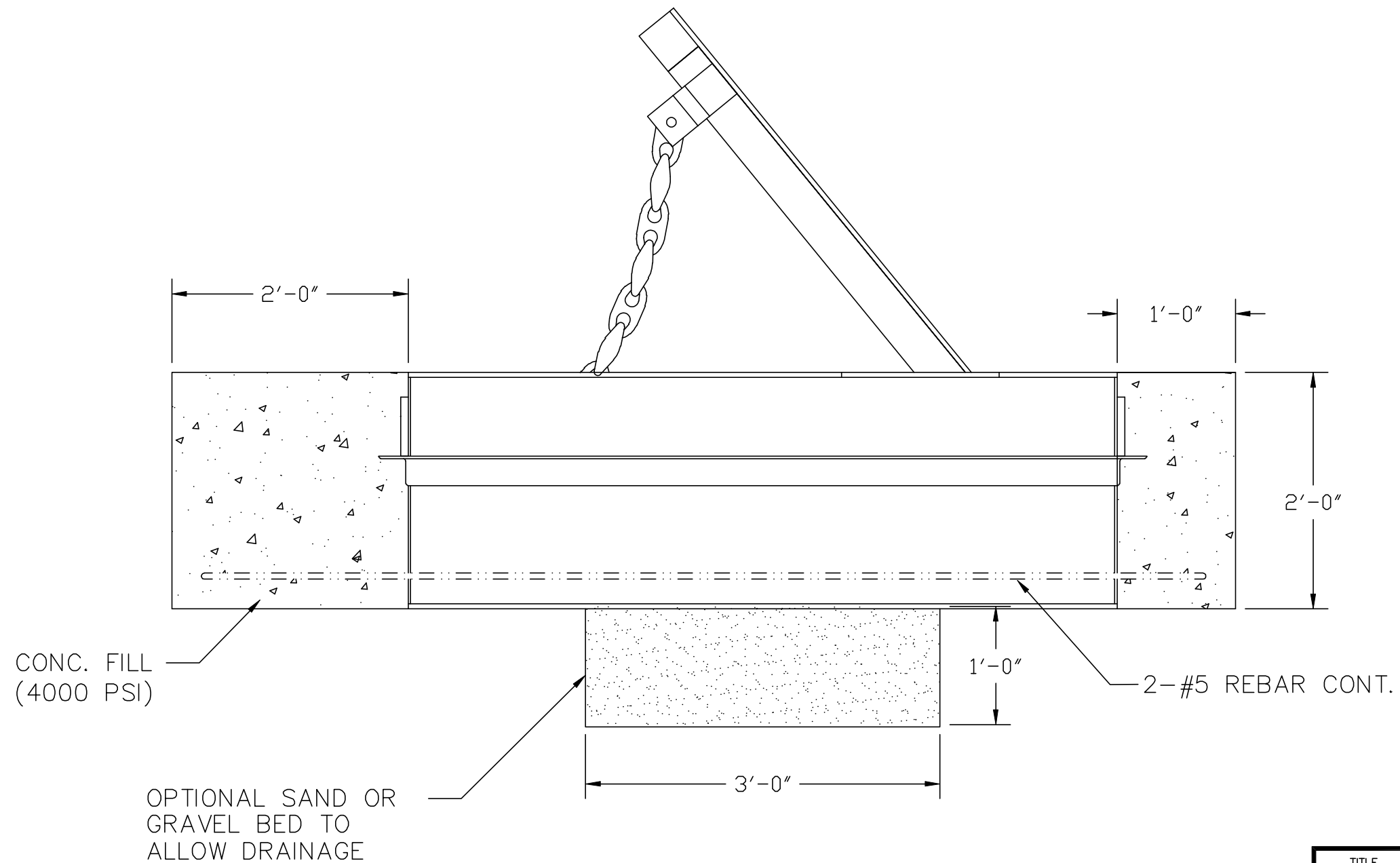


FRONT ELEVATION


REV. NO.	DESCRIPTION	REV. DATE

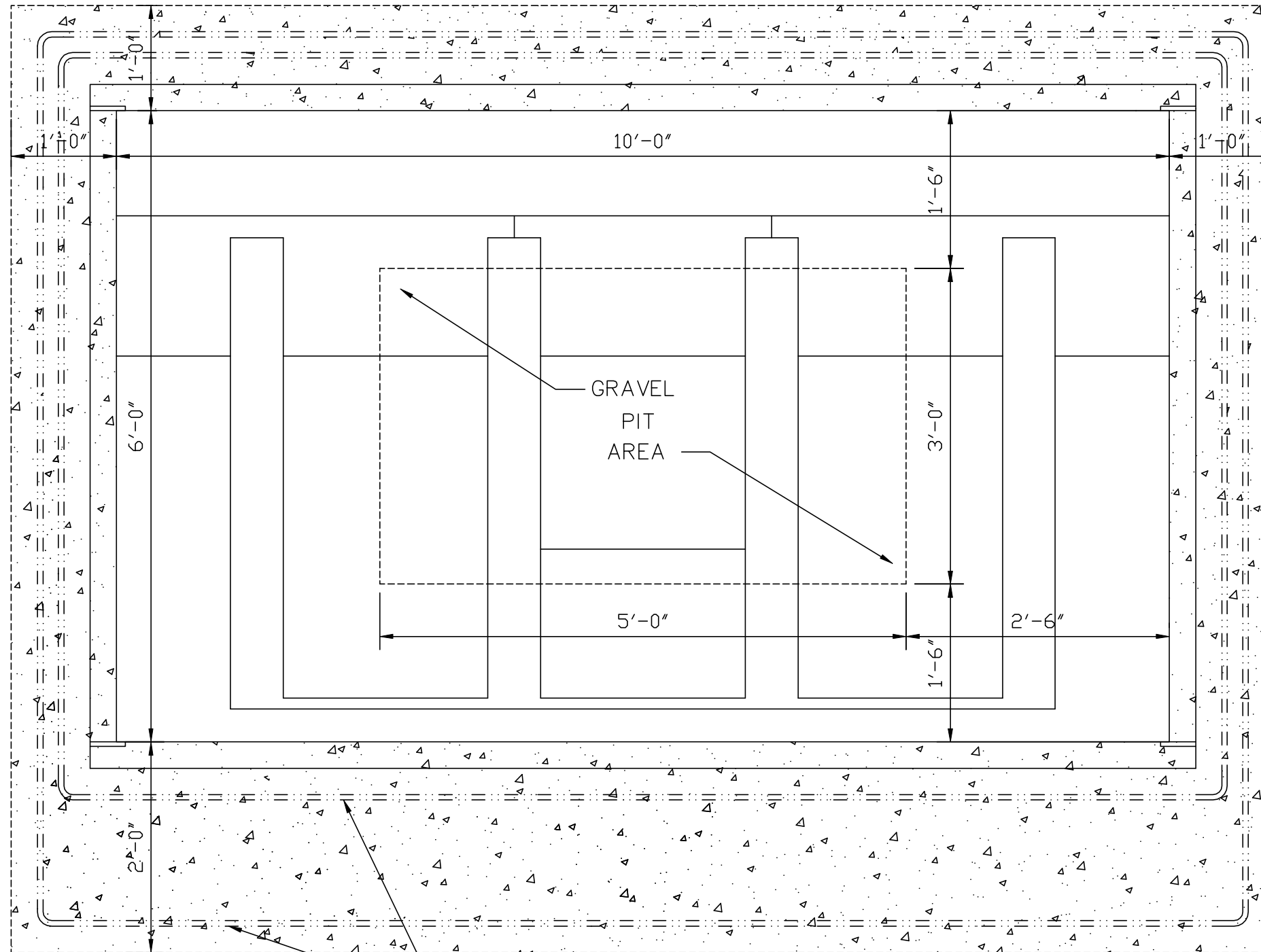
TITLE ELETRIC WEDGE BARRIER FOUNDATION		DRAWN BY SS
 NORSHIELD SECURITY PRODUCTS		DATE 06/21/06
		MODEL NUMBER NOR200
3224 Mobile Hwy. • Montgonery, AL 36108-4400 Tel: 334-281-8440 • Fax: 334-286-4320 Website: www.norshieldsecurity.com		OLD MODEL NUMBER N/A
TOLERANCE ± 1/32" UNLESS OTHERWISE NOTED	DRAWING NUMBER 200101	SHEET 01 OF 03



SIDE ELEVATION

REV. NO.	DESCRIPTION	REV. DATE


TITLE ELETRIC WEDGE BARRIER FOUNDATION		DRAWN BY SS
 NORSHIELD SECURITY PRODUCTS 3224 Mobile Hwy. • Montgonery, AL 36108-4400 Tel: 334-281-8440 • Fax: 334-286-4320 Website: www.norshieldsecurity.com		DATE 06/21/06
		MODEL NUMBER NOR200
TOLERANCE ± 1/32" UNLESS OTHERWISE NOTED		OLD MODEL NUMBER N/A
DRAWING NUMBER 200101		SHEET 02 OF 03

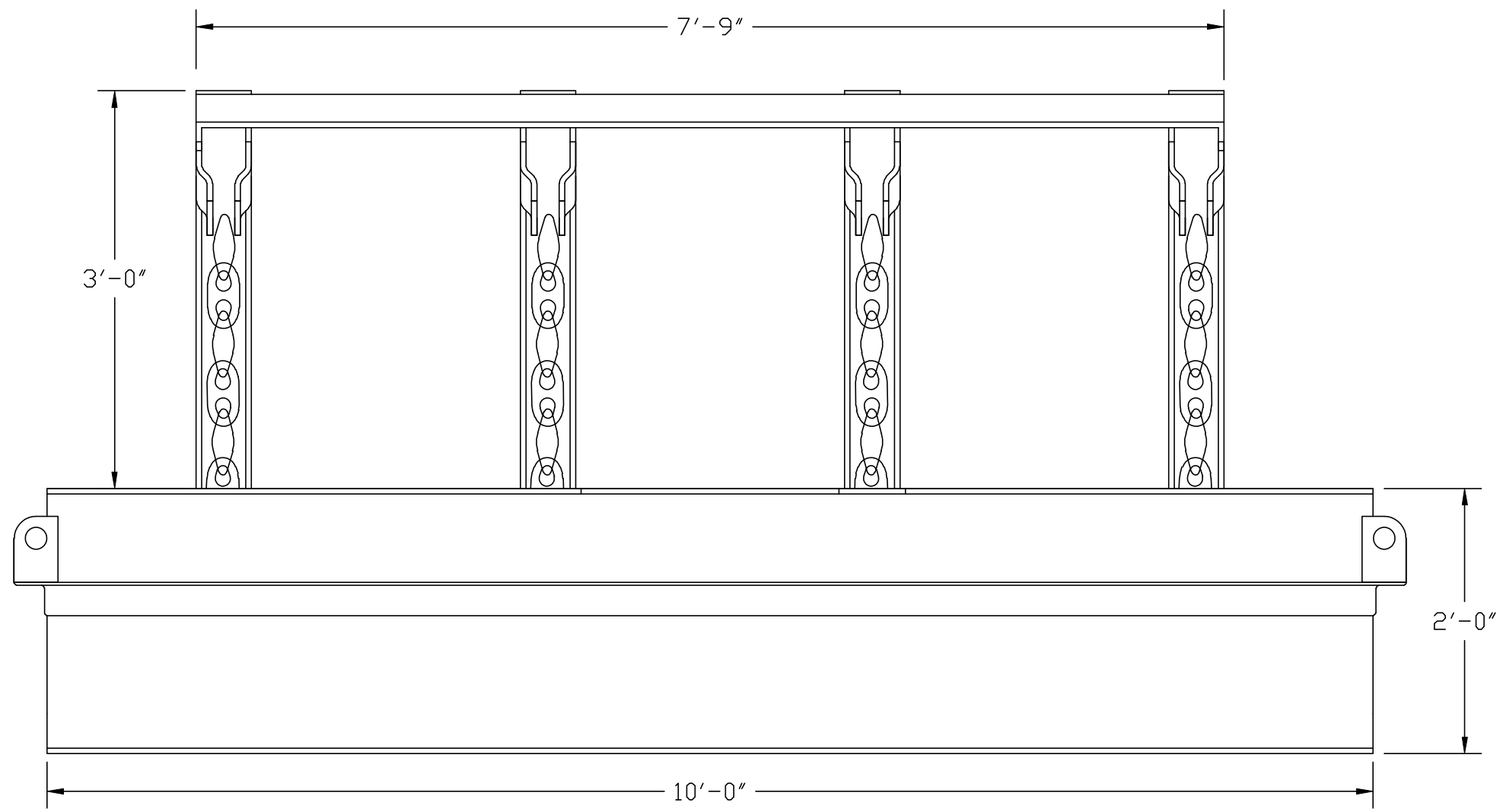


#5 REBAR CONT.

TOP VIEW


REV. NO.	DESCRIPTION	REV. DATE

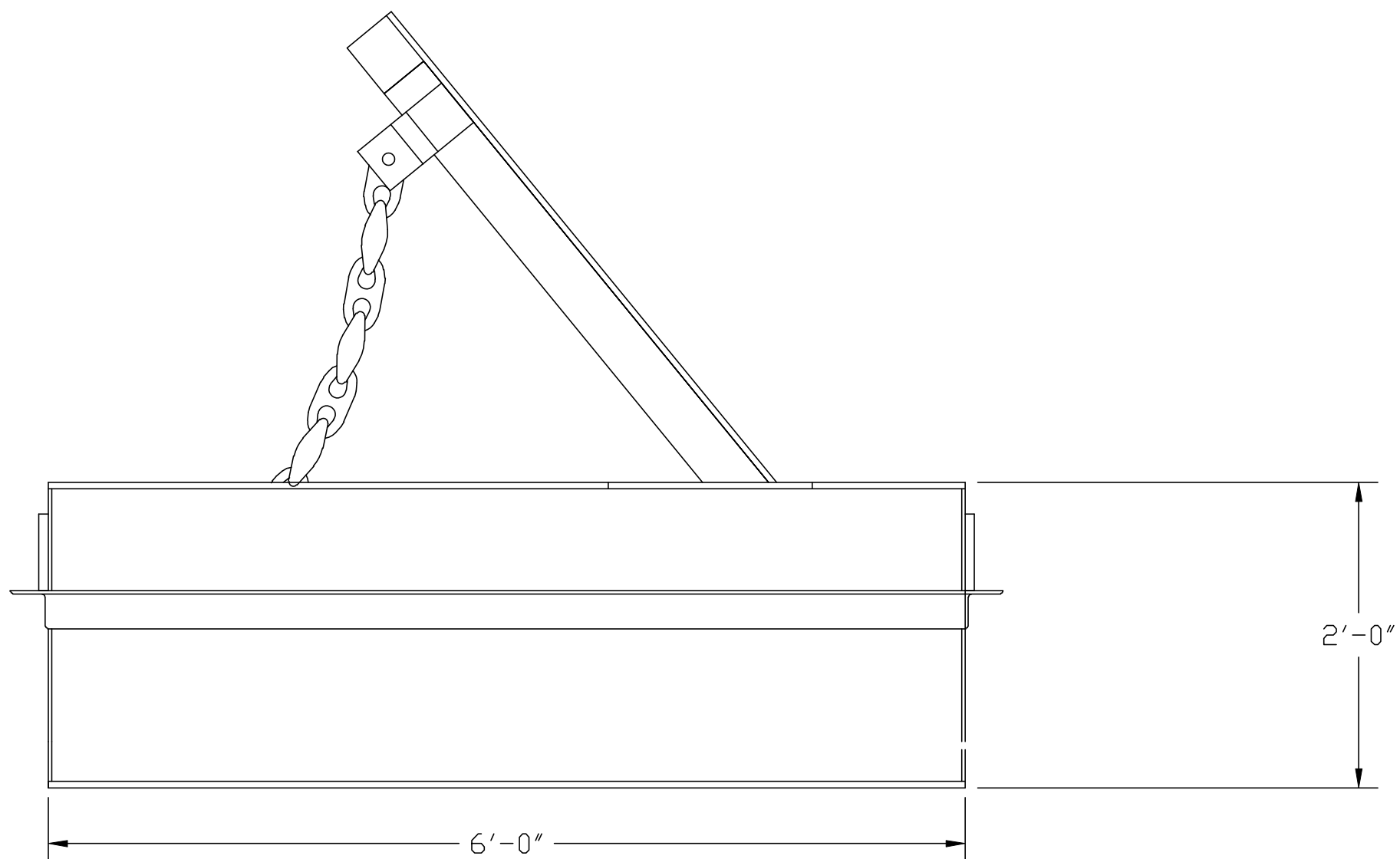
TITLE		ELETIC WEDGE BARRIER FOUNDATION	
 <p>3224 Mobile Hwy. • Montgomery, AL 36108-4400 Tel: 334-281-8440 • Fax: 334-286-4320 Website: www.norshieldsecurity.com</p>	DRAWN BY	SS	
	DATE	06/21/06	
	MODEL NUMBER	NOR200	
	OLD MODEL NUMBER	N/A	
TOLERANCE ± 1/32" UNLESS OTHERWISE NOTED	DRAWING NUMBER	200101	
	SHEET	03 OF 03	



FRONT ELEVATION

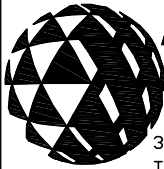
REV. NO.	DESCRIPTION	REV. DATE

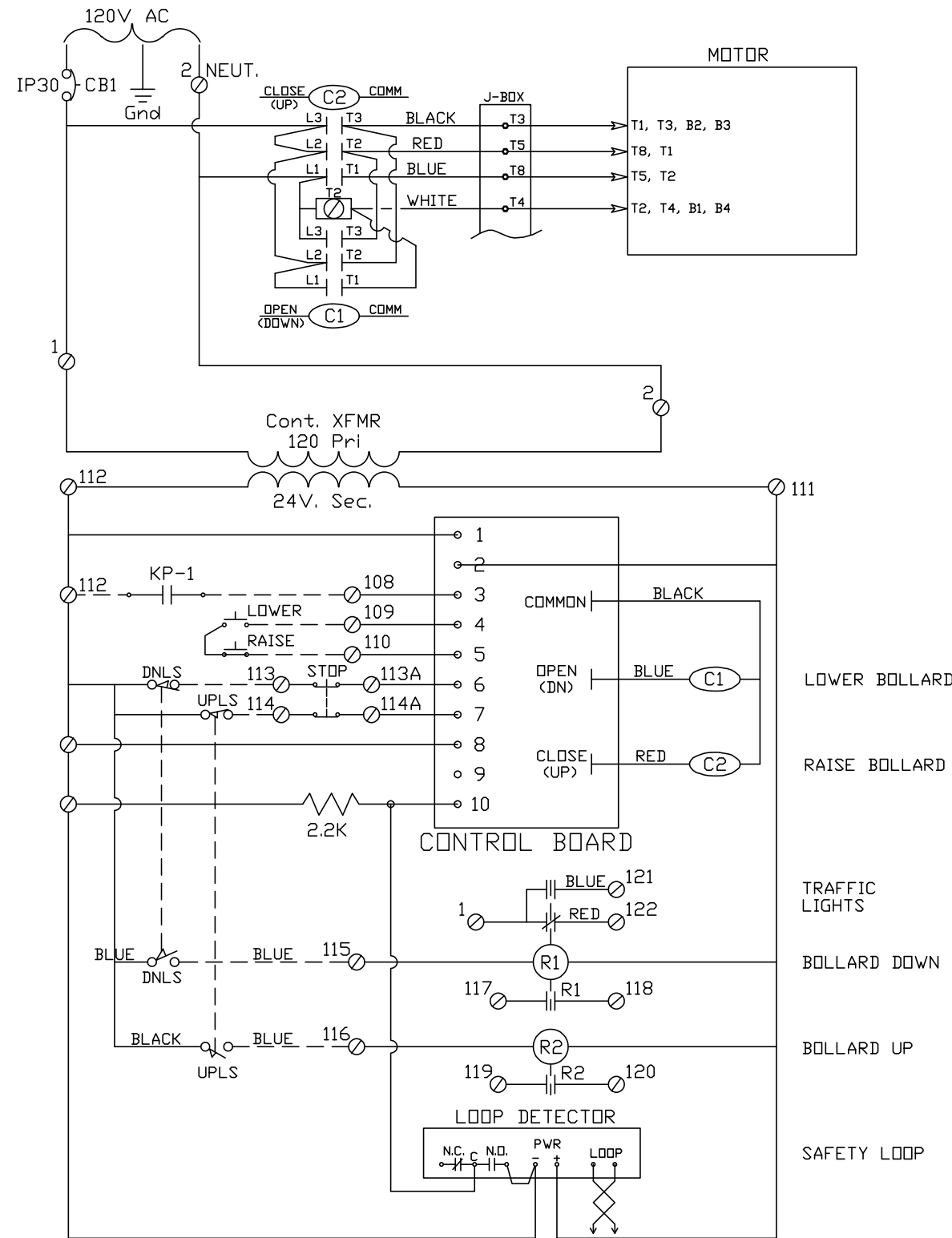
TITLE ELECTRIC WEDGE BARRIER GEN ARRANGEMENT		
 <p>3224 Mobile Hwy. • Montgomery, AL 36108-4400 Tel: 334-281-8440 • Fax: 334-286-4320 Website: www.norshieldsecurity.com</p>	DRAWN BY SS	DATE 06/21/06
	MODEL NUMBER NOR200	
	OLD MODEL NUMBER N/A	
	TOLERANCE ± 1/32" UNLESS OTHERWISE NOTED	DRAWING NUMBER 200102



SIDE ELEVATION

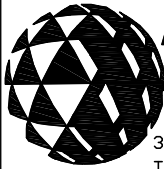
REV. NO.	DESCRIPTION	REV. DATE

TITLE ELECTRIC WEDGE BARRIER GEN ARRANGEMENT		DRAWN BY SS
 NORSHIELD SECURITY PRODUCTS 3224 Mobile Hwy. • Montgomery, AL 36108-4400 Tel: 334-281-8440 • Fax: 334-286-4320 Website: www.norshieldsecurity.com		DATE 06/21/06
		MODEL NUMBER NOR200
		OLD MODEL NUMBER N/A
TOLERANCE ± 1/32" UNLESS OTHERWISE NOTED	DRAWING NUMBER 200102	SHEET 02 OF 02



TYPICAL SINGLE K12 BARRIER

REV. NO.	DESCRIPTION	REV. DATE

TITLE		
ELETRIC BARRIER CONTROL LAYOUT		
 <p>NORSHIELD SECURITY PRODUCTS</p> <p>3224 Mobile Hwy. • Montgomery, AL 36108-4400 Tel: 334-281-8440 • Fax: 334-286-4320 Website: www.norshieldsecurity.com</p>	DRAWN BY	SS
	DATE	06/21/06
	MODEL NUMBER	NOR200
	OLD MODEL NUMBER	N/A
TOLERANCE ± 1/32" UNLESS OTHERWISE NOTED	DRAWING NUMBER	200103
SHEET		01 OF 01